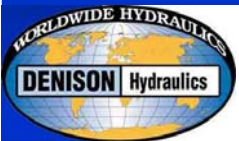


BOMBAS DE PISTONES

AXIALES

RADIALES

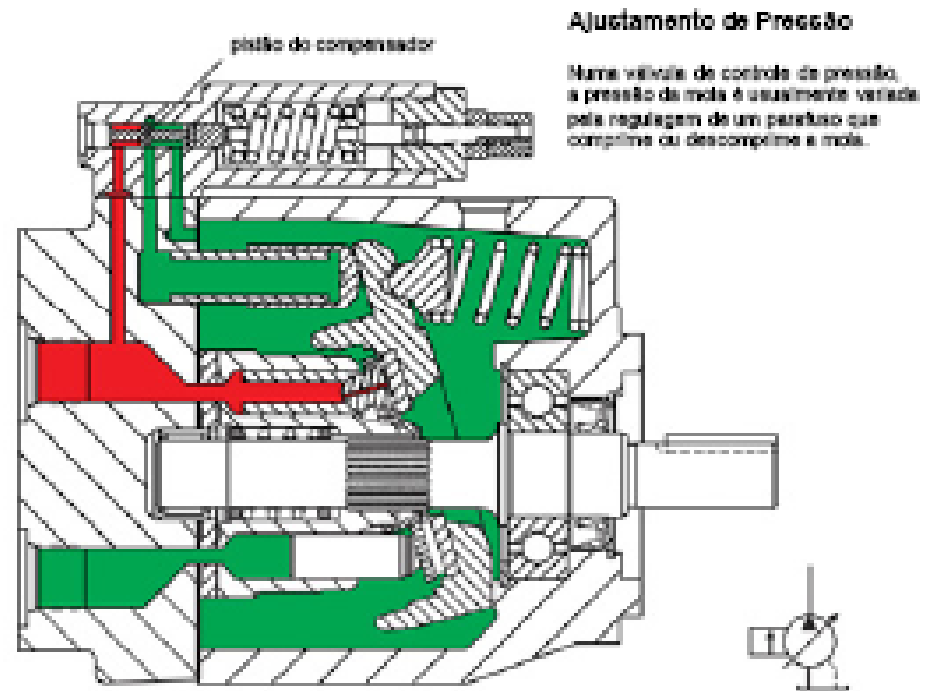


anything  Possible.™

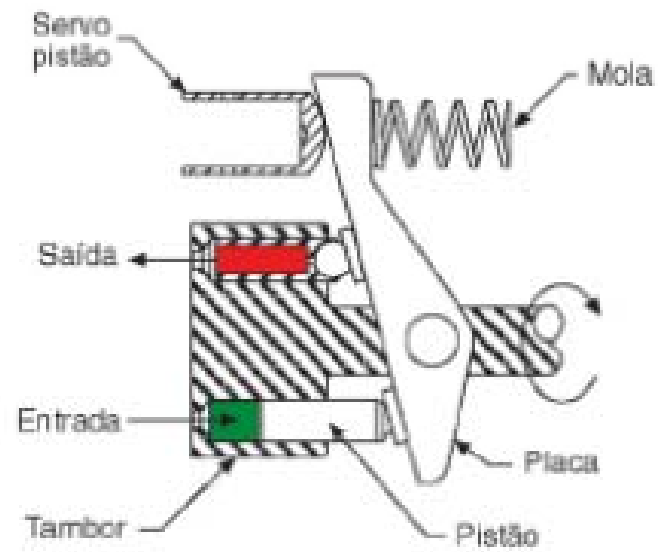
Pistones axiales



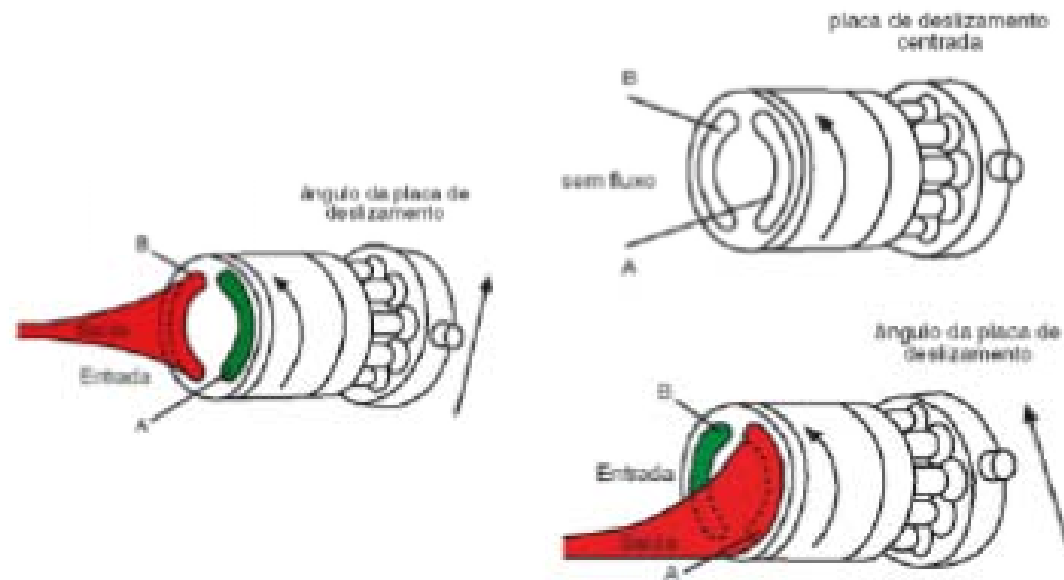
Como Funciona uma Bomba de Pistão Axial de Volume Variável



Bombas de Pistão Axial de Volume Variável



Bombas de Pistão Axial Reversível

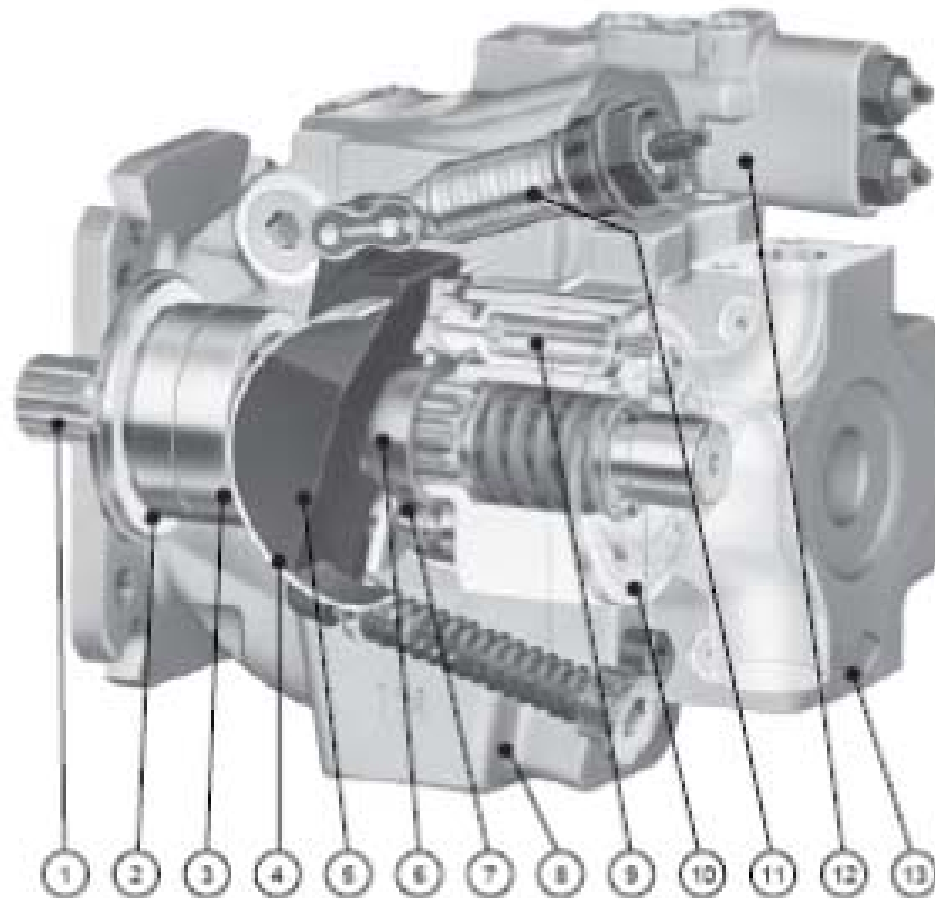


CAUDAL VARIABLE

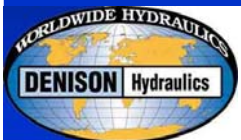


CAUDAL VARIABLE

PE cut-away



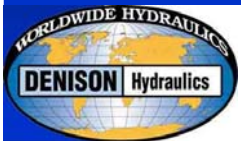
- | | | |
|---------------------------------|-------------------------|----------------------------|
| 1. Input shaft | 5. Swashplate | 9. Piston with piston shoe |
| 2. Seal carrier with shaft seal | 6. Ball seat | 10. Valve plate |
| 3. Spherical roller bearing | 7. Piston Shoe Retainer | 11. Servo piston |
| 4. Saddle bearing | 8. Housing | 12. Control |
| | | 13. Rear cover |



anything
Possible

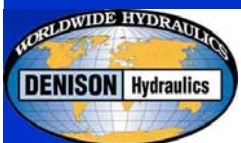
CAUDAL VARIABLE

Hydraulic Pump Division
XL Series – P1 Models
open-circuit axial piston pumps
280 bar rated pressure



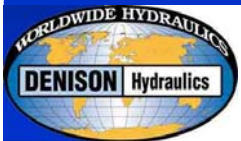
anythin
Pos

CAUDAL VARIABLE



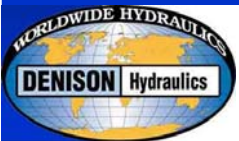
anything  Parker
Possible.™

CAUDAL VARIABLE



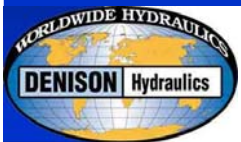
anything  Parker
Possible.™

CAUDAL FIJO



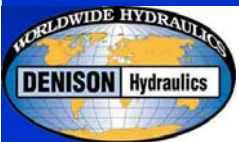
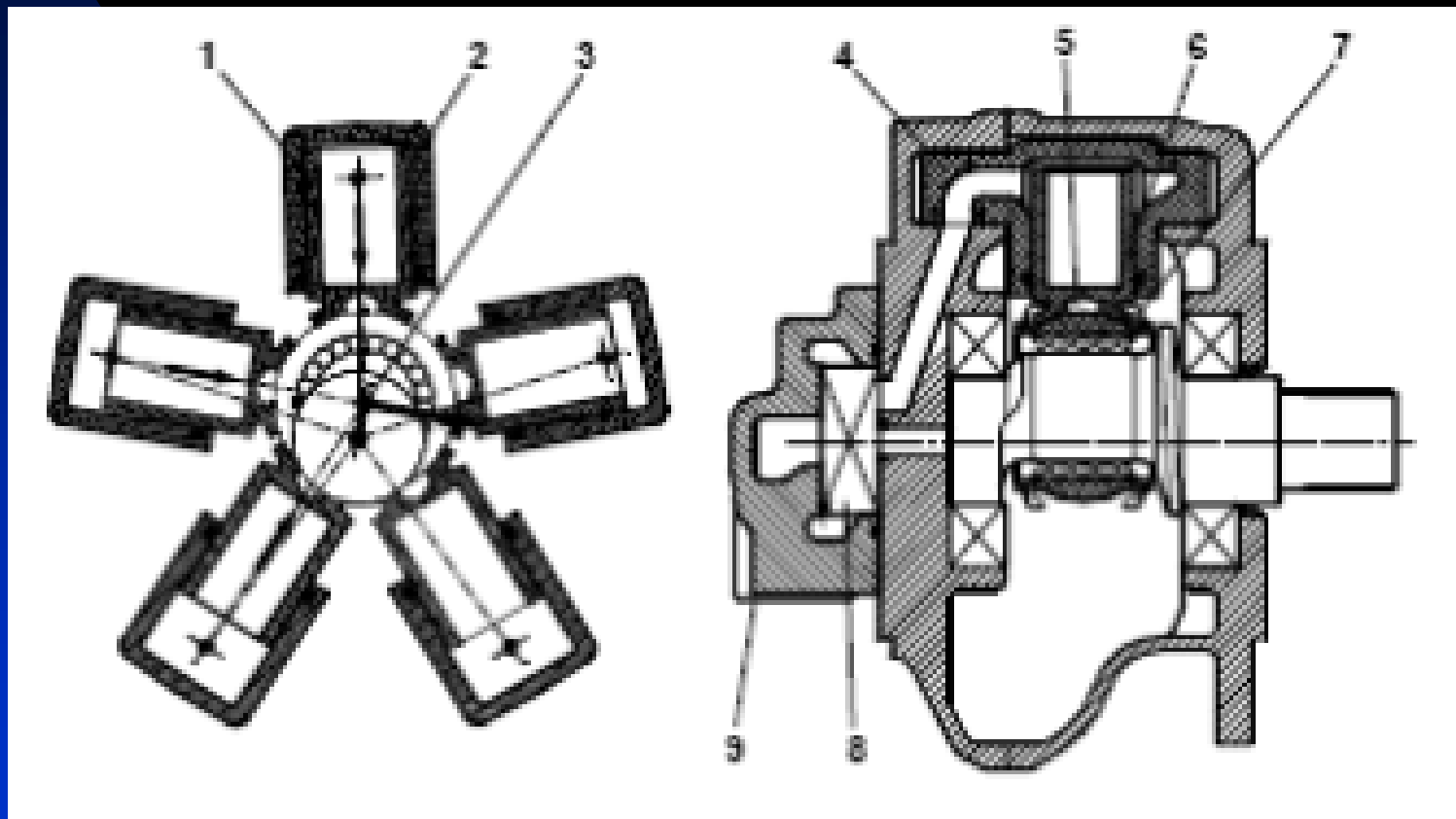
Every possibility
Possible.™

CAUDAL FIJO



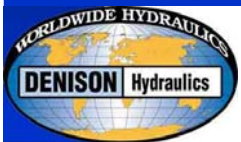
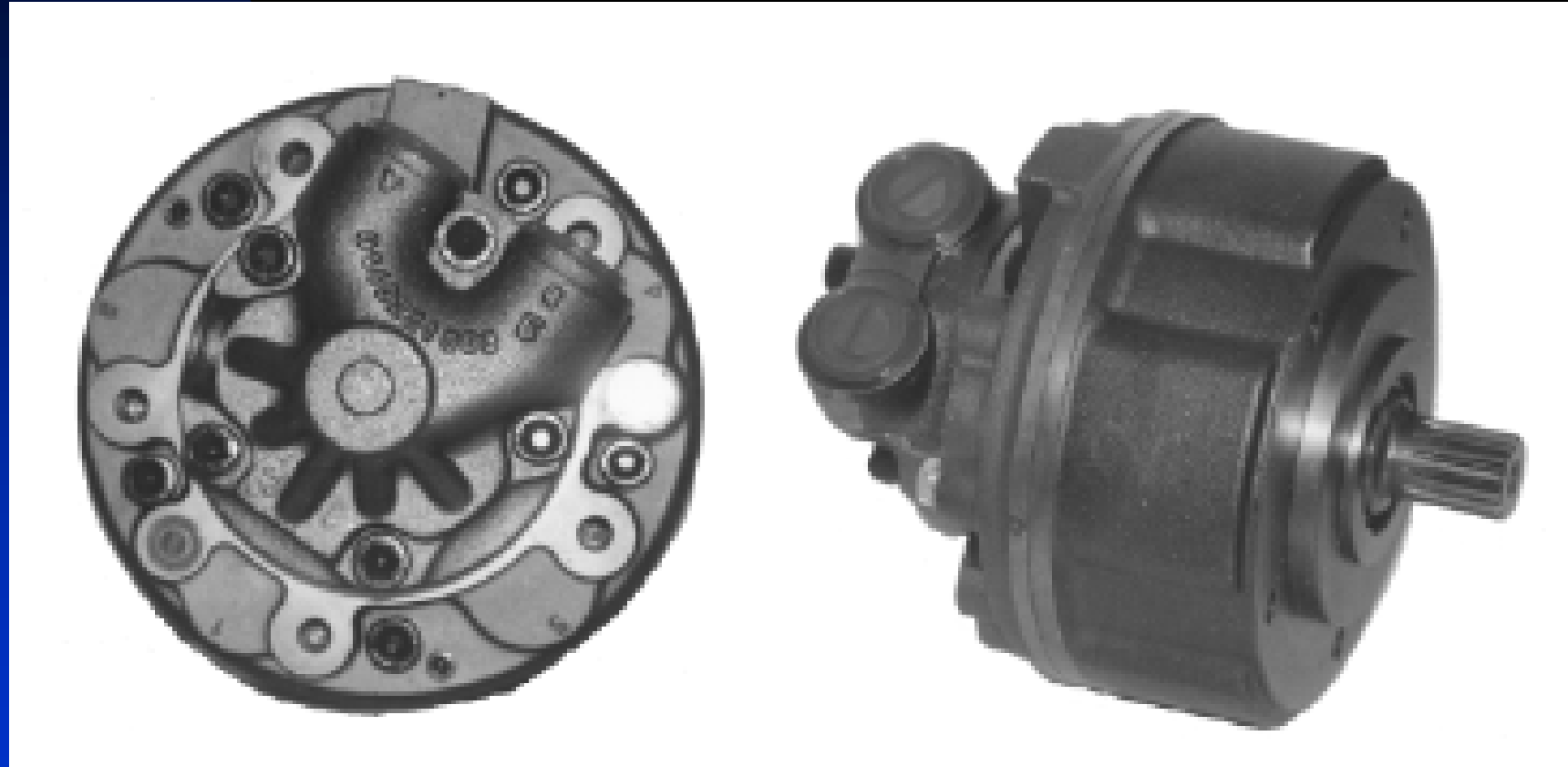
anything  Parker
Possible.™

Pistones Radiales



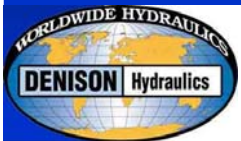
anything  Parker
Possible.™

Pistones radiales



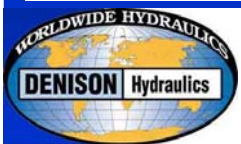
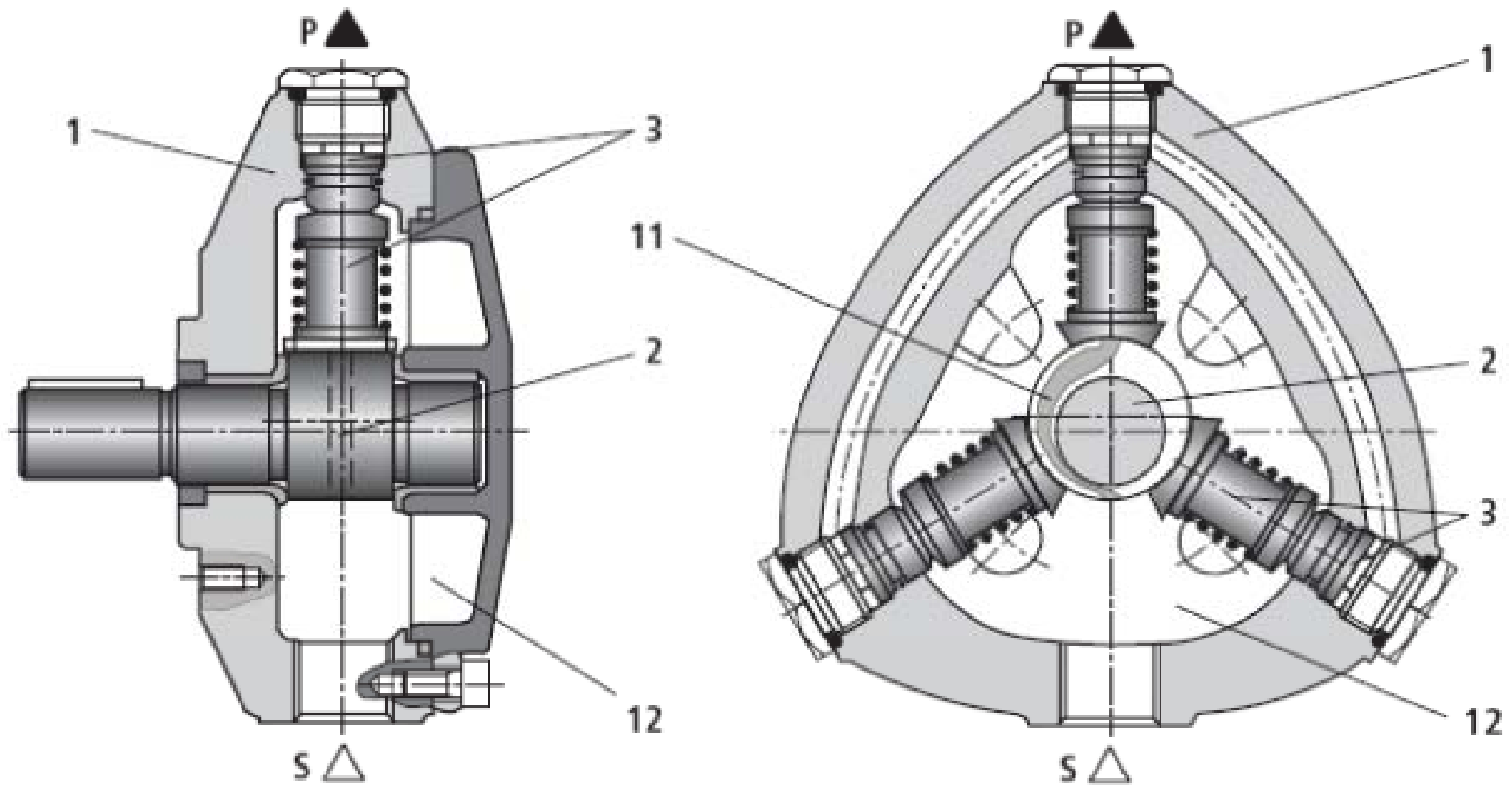
anything  Parker
Possible.™

Pistones radiales



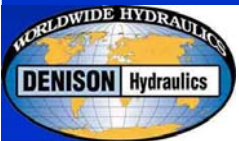
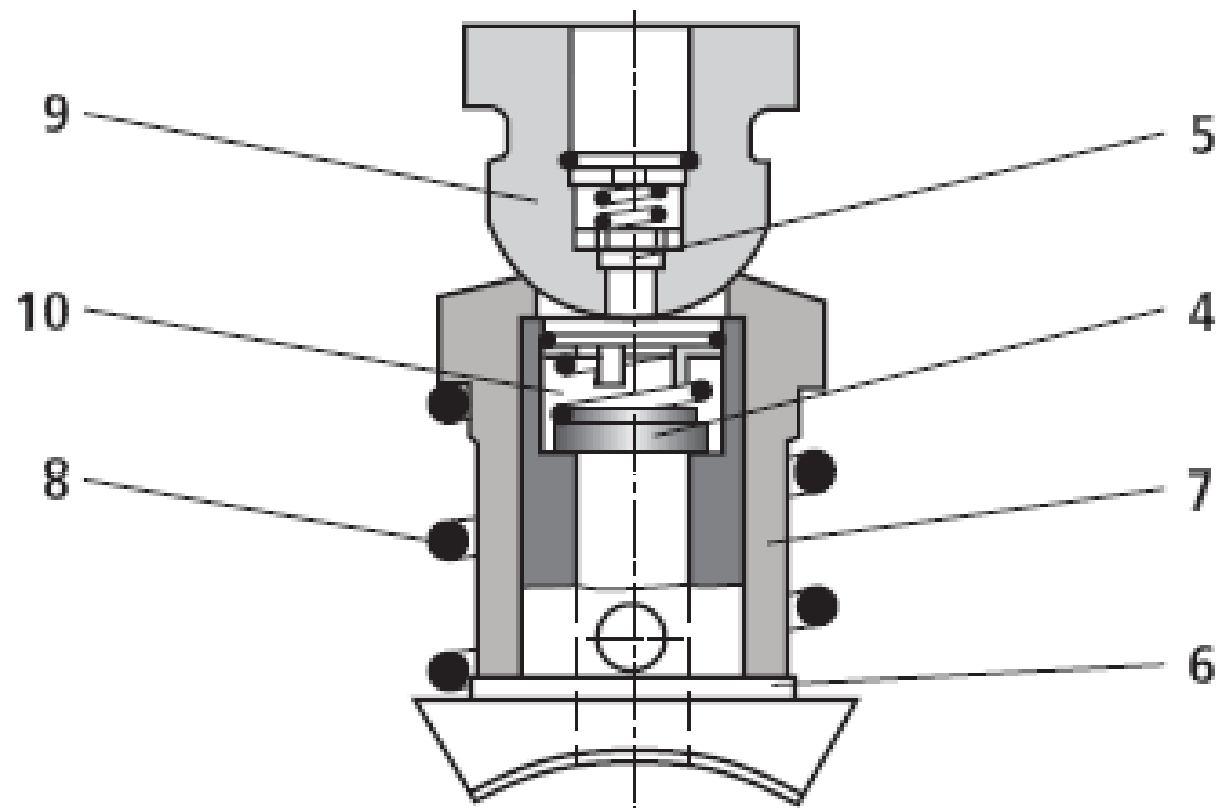
anything  Parker
Possible.™

Pistones Radiales



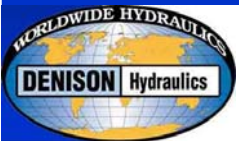
anything **Parker**
Possible.™

Pistones Radiales



anything  Possible.™

Combinación pistones + engranajes



anything  Parker
Possible.™